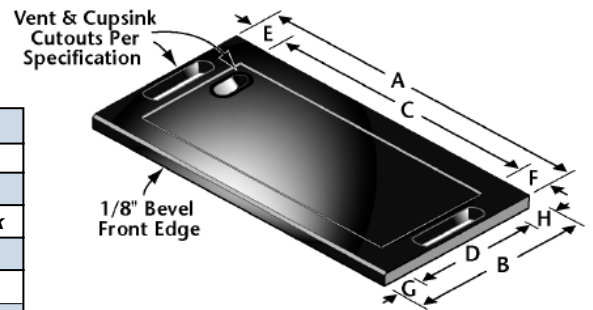


PRODUCT DIMENSIONS

Classic Fume Hood Base Dimensions

Style No.	Dimensions (mm)							
	Rail Thickness 25 or 32		Dish Thickness 15 or 22		Dish Depth 9			
	Outside		Dish		Rail Width			
	Length	Width	Length	Width	Left	Right	Front	Back
A	B	C	D	E	F	G	H	
680	1190	710	1139	659	25	25	25	25
651	1194	749	1137	692	30	30	30	30
640	1213	787	1010	540	102	102	152	95
681	1219	540	908	413	152	152	64	64
643	1245	762	933	603	156	156	95	64
606	1245	787	933	629	155	155	95	64
600	1270	787	953	597	159	159	89	102
602	1270	825	965	581	152	152	92	152
639	1518	787	1314	540	102	102	152	95
644	1524	762	1213	603	156	156	95	64
607	1524	787	1213	629	155	155	95	64
647	1575	749	1530	582	22	22	65	105
618	1575	787	1105	597	241	241	89	102
603	1575	825	1270	581	152	152	92	152
610	1581	787	1257	978	159	159	89	102
679	1690	710	1639	659	25	25	25	25
652	1695	749	1638	692	30	30	30	30
638	1822	787	1619	540	102	102	152	95
645	1829	762	1518	603	156	156	95	64
608	1829	787	1518	629	155	155	95	64
650	1829	914	1581	737	124	124	89	89
611	1861	787	1410	597	222	222	89	102
601	1861	787	1562	597	146	146	89	102
604	1880	825	1575	581	152	152	92	152
649	1956	724	1893	667	30	30	30	30
688	2388	1016	2128	883	127	127	70	64
634	2432	787	2229	540	102	102	152	95
646	2438	762	2127	603	156	156	95	64
609	2438	787	2127	629	155	155	95	64
654	2438	1069	2191	883	124	124	89	95
635	2445	914	2197	737	127	127	89	92
616	2496	787	2178	598	159	159	89	102
605	2489	825	2184	581	152	152	92	152
636	2496	965	2178	89	159	159	89	102

In many cases the side, front and rear rails of Durcon Fume Hood Bases may be trimmed to meet various dimensional requirements.



Please Note: Listed dimensions are typical values only. Variations within normal tolerances are possible. Durcon makes no warranty, express or implied that the results described herein will be obtained under end-use conditions.