

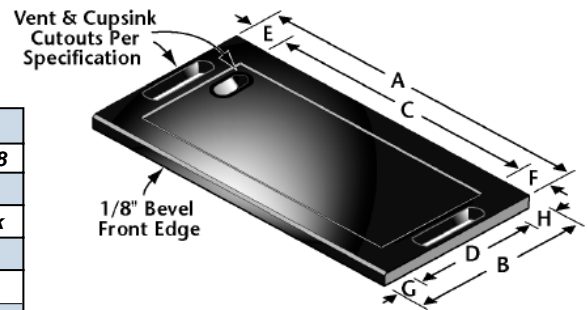


PRODUCT DIMENSIONS

Classic Fume Hood Base Dimensions

Style No.	Dimensions (in)							
	Rail Thickness 1.00 or 1.25		Dish Thickness .63 or .88		Dish Depth .38			
	Outside		Dish		Rail Width			
	Length	Width	Length	Width	Left	Right	Front	Back
A	B	C	D	E	F	G	H	
680	46.9	28	44.9	29	1	1	1	1
651	47	29.5	44.8	27.3	1.2	1.2	1.2	1.2
640	47.8	31	39.8	21.2	4	4	6	3.8
681	48	21.3	35.8	16.3	6	6	2.5	2.5
643	49	30	36.8	23.8	6.1	6.1	3.8	2.5
606	49	31	36.8	24.8	6.1	6.1	3.8	2.5
600	50	31	37.5	23.5	6.3	6.3	3.5	4
602	50	32.5	38	22.9	6	6	3.6	6
639	59.8	31	51.8	21.2	4	4	6	3.8
644	60	30	47.8	23.8	6.1	6.1	3.8	2.5
607	60	31	47.8	24.8	6.1	6.1	3.8	2.5
647	62	29.5	60.3	22.9	0.9	0.9	2.5	4.1
618	62	31	43.5	23.5	9.5	9.5	3.5	4
603	62	32.5	50	22.9	6	6	3.6	6
610	62.3	31	49.5	38.5	6.3	6.3	3.5	4
679	66.5	28	64.5	26	1	1	1	1
652	66.8	29.5	64.5	27.3	1.2	1.2	1.2	1.2
638	71.8	31	63.8	21.2	4	4	6	3.8
645	72	30	59.8	23.8	6.1	6.1	3.8	2.5
608	72	31	59.8	24.8	6.1	6.1	3.8	2.5
650	72	36	62.3	29	4.9	4.9	3.5	3.5
611	73.3	31	55.5	23.5	8.8	8.8	3.5	4
601	73.3	31	61.5	23.5	5.8	5.8	3.5	4
604	74	32.5	62	22.9	6	6	3.6	6
649	77	28.5	74.5	26.3	1.2	1.2	1.2	1.2
688	94	40	83.8	34.8	5	5	2.8	2.5
634	95.8	31	87.8	21.2	4	4	6	3.8
646	96	30	83.8	23.8	6.1	6.1	3.8	2.5
609	96	31	83.8	24.8	6.1	6.1	3.8	2.5
654	96	42	86.3	34.8	4.9	4.9	3.5	3.8
635	96.3	36	86.5	29	5	5	3.5	3.6
616	98.3	31	85.8	23.6	6.3	6.3	3.5	4
605	98	32.5	86	22.9	6	6	3.6	6
636	98.3	38	85.8	3.5	6.3	6.3	3.5	4

In many cases the side, front and rear rails of Durcon Fume Hood Bases may be trimmed to meet various dimensional requirements.



Please Note: Listed dimensions are typical values only. Variations within normal tolerances are possible. Durcon makes no warranty, express or implied that the results described herein will be obtained under end-use conditions.